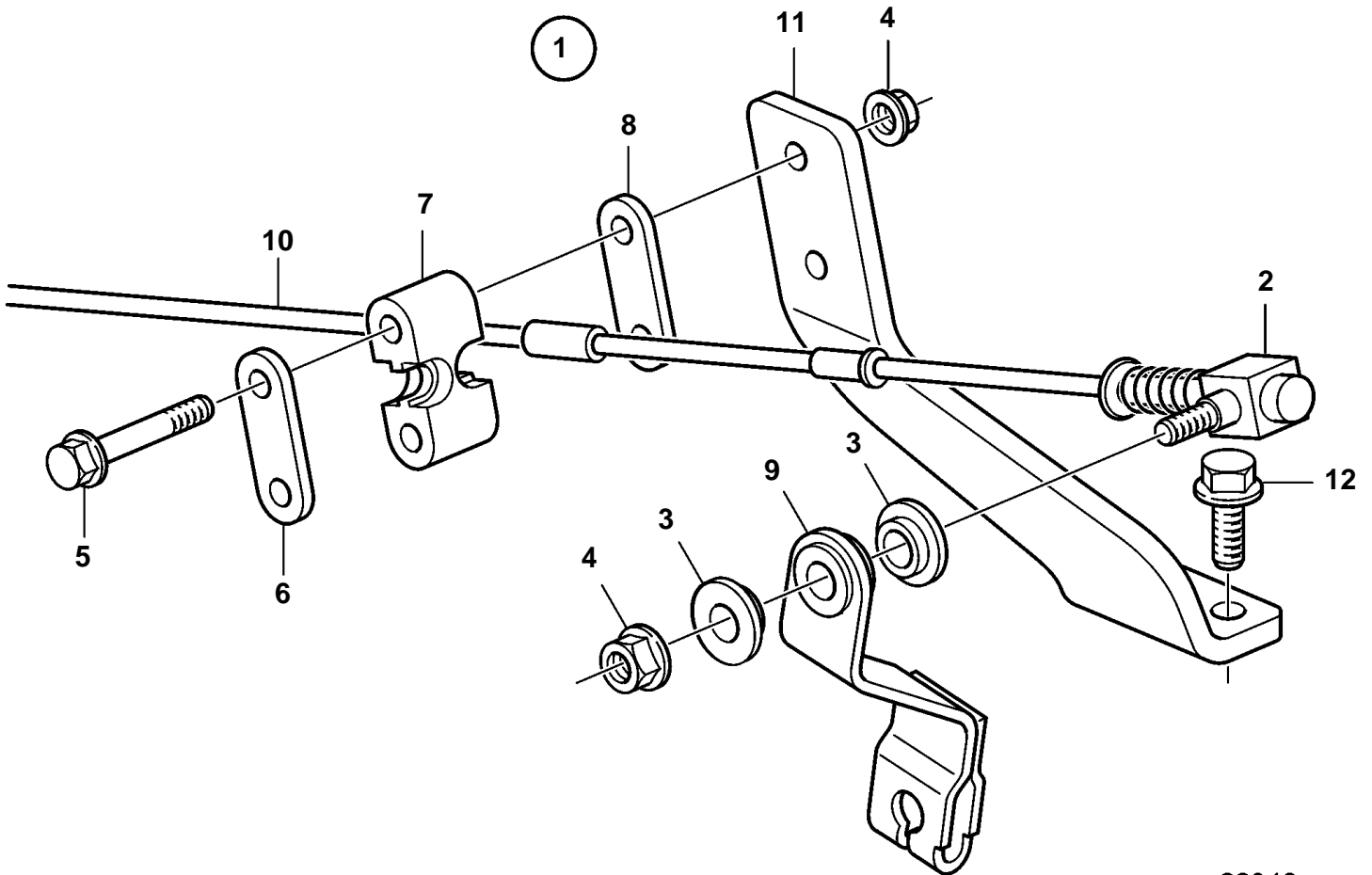


D1-30A, D1-30B



22948

D1-30A, D1-30B

REF	PART NO.	QTY	DESCRIPTION	SEE SEC.
1	3841287	1	Connector kit	
2	840692	1	· Cube	
3	843105	2	· Spacer washer	
4	949874	3	· Flange lock nut	
5	969439	2	· 6 point socket screw	
6	819068	1	· Washer	
7	872074	1	· Retainer	
8	872076	1	· Washer	
9	3580036	1	Intermediate lever	
10		1	Control cable	231
11	3817095	1	Bracket	
12	946440	2	Flange screw	